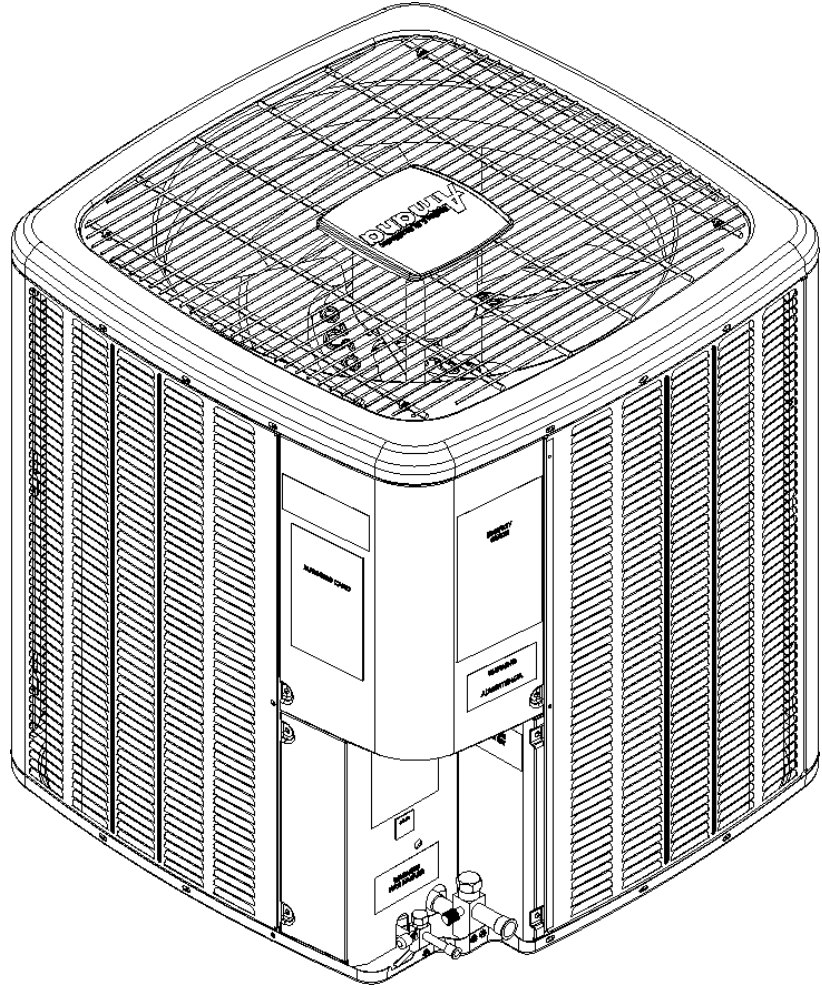


ASZC 16/18 Remote Heat Pumps

ASZC160481AE
ASZC160601BC
ASZC180481AD
ASZC180601BB



Amana® is a registered trademark of Maytag Corporation or its related companies and is used under license. All rights reserved.

This manual is to be used by qualified technicians only.

This manual replaces RP-858A.

© 2013, 2015, 2017 Goodman Company, L.P. ♦ 5151 San Felipe St, Suite 500 ♦ Houston, TX 77056

Important Information

Index

Functional Parts List	3
Illustration and Parts	4 - 9

Views shown are for parts illustrations only, not servicing procedures

Text Codes:

AR - As Required

NA - Not Available

NS - Not Shown

00000000 - See Note

QTY - Quantity Example (QTY 3) (If Quantity not shown, Quantity = 1)

M - Model Example (M1) (If M Code not shown, then part is used on all Models)

Expanded Model Nomenclature:

Example M1 - Model#1 M2 - Model#2 M3 - Model#3

Goodman Company, L.P. is not responsible for personal injury or property damage resulting from improper service. Review all service information before beginning repairs.

Warranty service must be performed by an authorized technician, using authorized factory parts. If service is required after the warranty expires, Goodman Company, L.P. also recommends contacting an authorized technician and using authorized factory parts.

Goodman Company, L.P. reserves the right to discontinue, or change at any time, specifications or designs without notice or without incurring obligations.

For assistance within the U.S.A. contact:

Homeowner Support
Goodman Company, L.P.
19001 Kermier Road
Waller, Texas 77484
877-254-4729-Telephone
713-863-2382-Facsimile

For assistance outside the U.S.A. contact:

International Division
Goodman Company, L.P.
19001 Kermier Road
Waller, Texas 77484
713-861-2500-Telephone
713-863-2382-Facsimile

Functional Parts

Part

No: **Description:**

0151R00078	BASE VALVE 3/8"
0151R00080	BASE VALVE 7/8"
CAP050300440CS	CAP,5/30MFD/440V/DUAL RD (M1, M3)
CAP050400440CT	CAPACITOR 5/40/440V/DUAL RD (M2, M4)
ZPS40K5EPFV130	COMPRESSOR 41100, 208/230/60/1 (M1, M3)
ZPS49K5EPFV130	COMPRESSOR 49100, 208/230/60/1 (M2, M4)
0130R00003	CUT-OUT SWITCH, HIGH PRESSURE
0130R00002	CUT-OUT SWITCH, LOW PRESSURE
0130M00106	DISC THERMOSTAT CRNKCS HTR SW
11046710	DISC-THERMOSTAT
0131M00761	ECM MOTOR - PROGRAMMED (IGBT) (M3, M4)
0163R00007	HEATER, CRANKCASE 230V, 40W
0131M00295	MOTOR 1/6 HP 2SP 8PL (M1, M2)
0130M00054	OUTDOOR AIR TEMP SENSOR
0130M00053	OUTDOOR COIL TEMP SENSOR
PCBHR104	PCB, CONTROL BOARD
0151M00021	REVERSING VALVE
0130R00014	SHARED DATA (M3)
0130R00012	SHARED DATA (M1)
0130R00016	SHARED DATA (M2)
0130R00018	SHARED DATA (M4)
B1225022	SOLENOID COIL
B1787000	VALVE CORE
0151M00068	VALVE, TXV R-410A

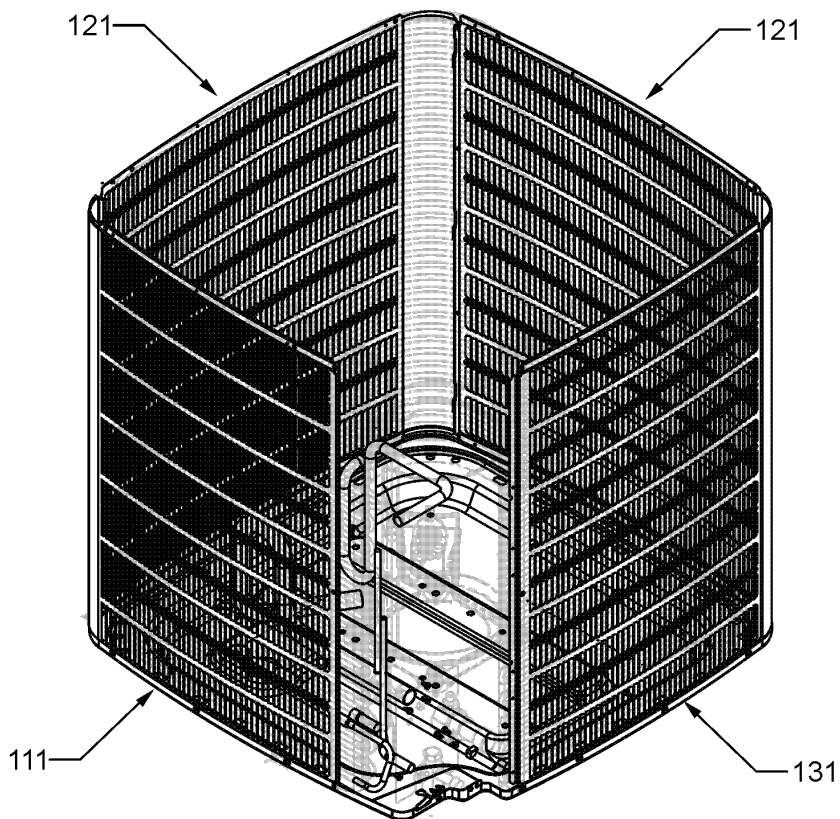
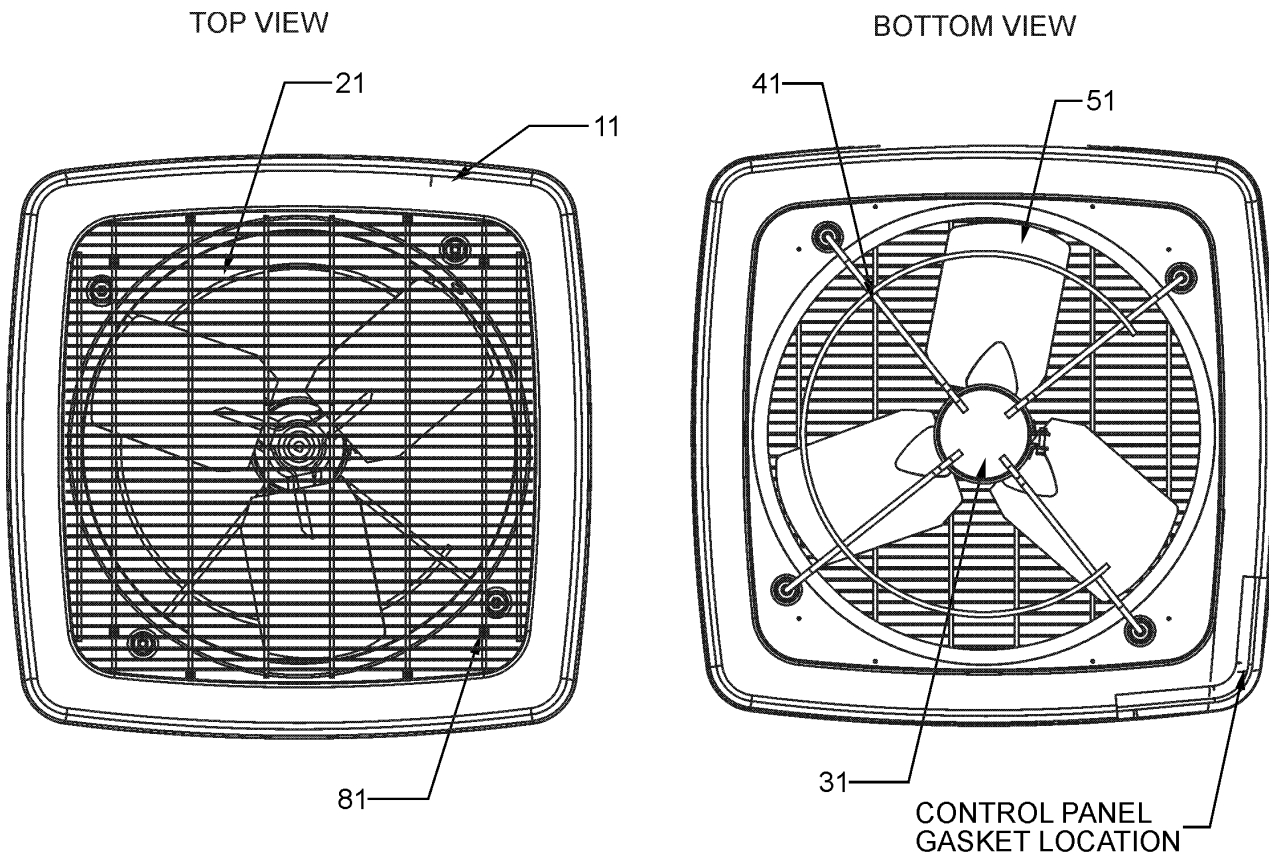
SPECIAL PARTS

0161R00008P	AMANA LOGO CAP
0161R00010P	AMANA NAMEPLATE

Expanded Model Nomenclature

M1 - ASZC160481AE
M2 - ASZC160601BC
M3 - ASZC180481AD
M4 - ASZC180601BB

Cabinet Top and Side Panel Assembly



Cabinet Top and Side Panel Assembly

Ref. Part No:	Description:	Ref. Part No:	Description:
---------------	--------------	---------------	--------------

Image 1:

11	0121R00013PDG	VENTURI TOP PANEL 35"
21	0152R00016	GRILLE, WIRE 35" TOP
31	0131M00761	ECM MOTOR - PROGRAMMED (IGBT) (M3, M4)
31	0131M00295	MOTOR 1/6 HP 2SP 8PL (M1, M2)
41	0121R00003	MOTOR MOUNT BRACKET (M3, M4)
51	0150M00010	FAN BLADE 26" ALUM CCW (M3, M4)
51	10625738	FAN BLADE 26" ALUM CCW (M1, M2)
81	0163M00003P	SCREW #10 X 1/2, A, SLOT, SR, BLACK (QTY 8)
111	4400464PLGB	LOUVERED SIDE PANEL [LT OF CNTL PNL]
121	4400466PLGB	PANEL 2, BENT LOUVER (QTY 2)
131	4400468PLG	LOUVERED SIDE PANEL [RT OF CNTL PNL]
NS	0161R00008P	AMANA LOGO CAP
NS	0161R00070	CONDUIT (M1, M2)
NS	0154R00006	GASKET, CONTROL PANEL
NS	M0280801	HEX NUT (M1, M2)
NS	B1393024	LOCK NUT (M3, M4)

Expanded Model Nomenclature

M1 - ASZC160481AE
M2 - ASZC160601BC
M3 - ASZC180481AD
M4 - ASZC180601BB

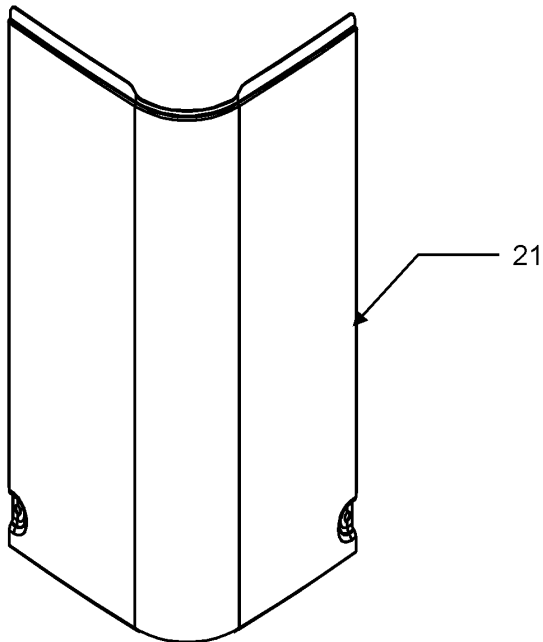
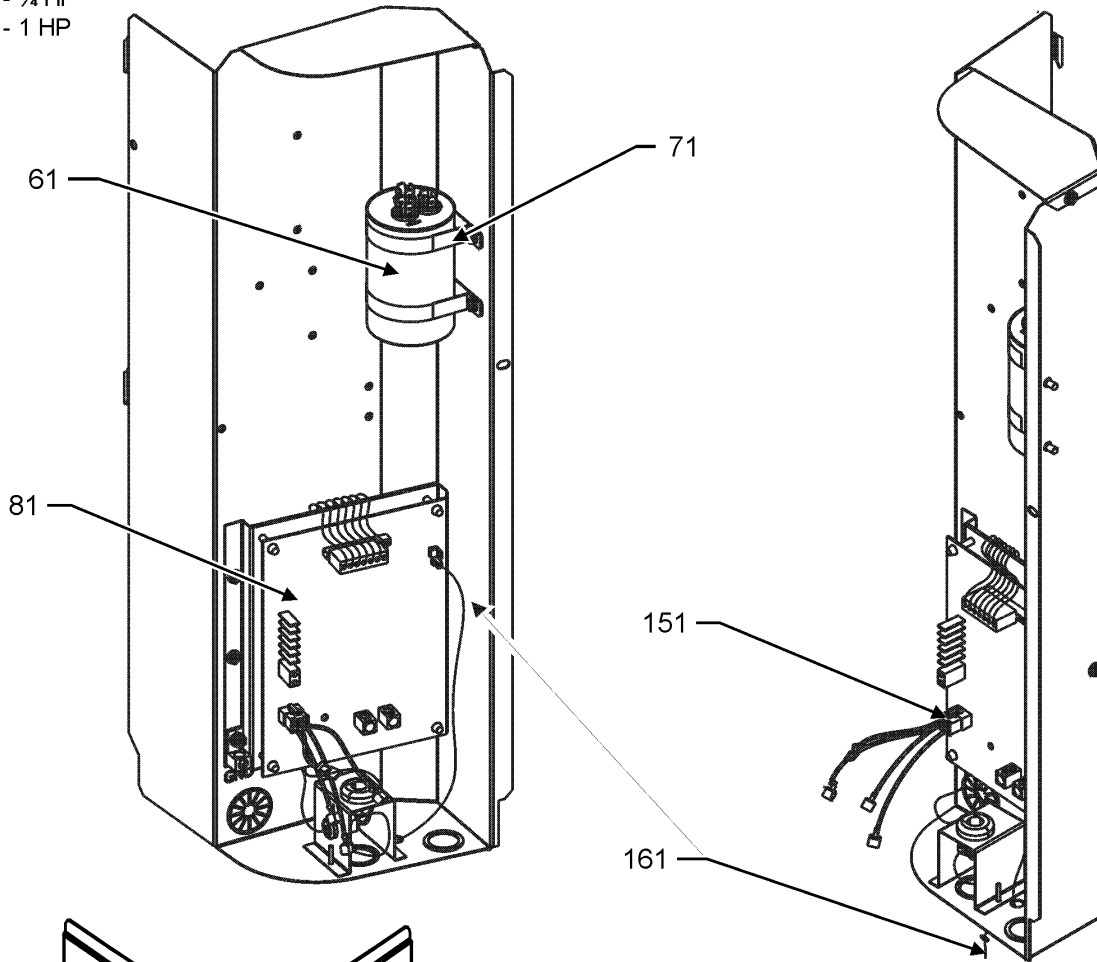
Control Panel Assembly

*If end bells are needed please order the following:

0131M00182 - 1/2 HP

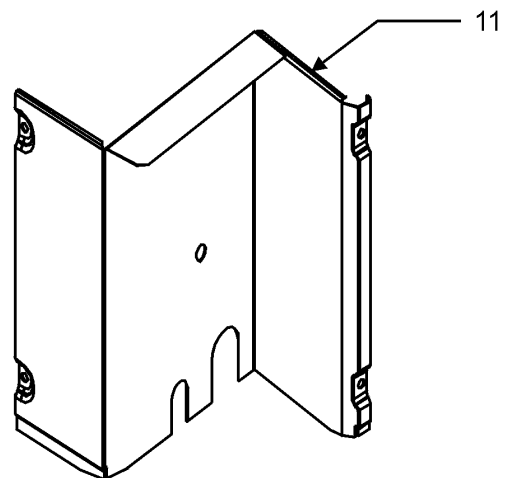
0131M00183 - 3/4 HP

0131M00184 - 1 HP



UPPER ACCESS PANEL

CONTROL PANEL
SIDE VIEW



LOWER ACCESS PANEL

Control Panel Assembly

Ref. Part No: No:	Description:	Ref. Part No: No:	Description:
-------------------	--------------	-------------------	--------------

Image 1:

11	0121R00317	LOWER ACCESS PANEL
21	0121R00054PDG	CONTROL COVER
61	CAP050300440CS	CAP.5/30MFD/440V/DUAL RD (M1, M3)
61	CAP050400440CT	CAPACITOR 5/40/440V/DUAL RD (M2, M4)
71	0121R00213	CAPACITOR STRAP (QTY 2)
81	PCBHR104	PCB, CONTROL BOARD
151	0159R00011	WIRE ASSEMBLY, ECM MOTOR (M3, M4)
151	0159R00010	WIRE ASSEMBLY, PSC MOTOR (M1, M2)
161	0130M00054	OUTDOOR AIR TEMP SENSOR
NS	0161R00010P	AMANA NAMEPLATE
NS	0130R00012	SHARED DATA (M1)
NS	0130R00014	SHARED DATA (M3)
NS	0130R00016	SHARED DATA (M2)
NS	0130R00018	SHARED DATA (M4)

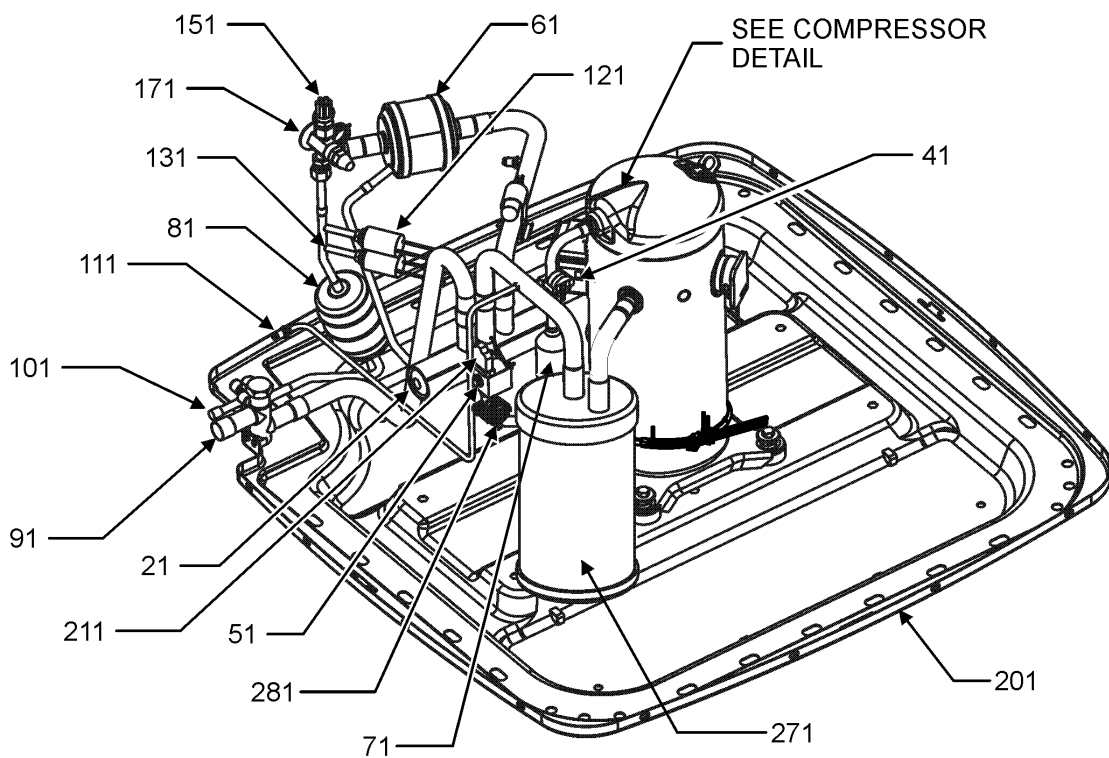
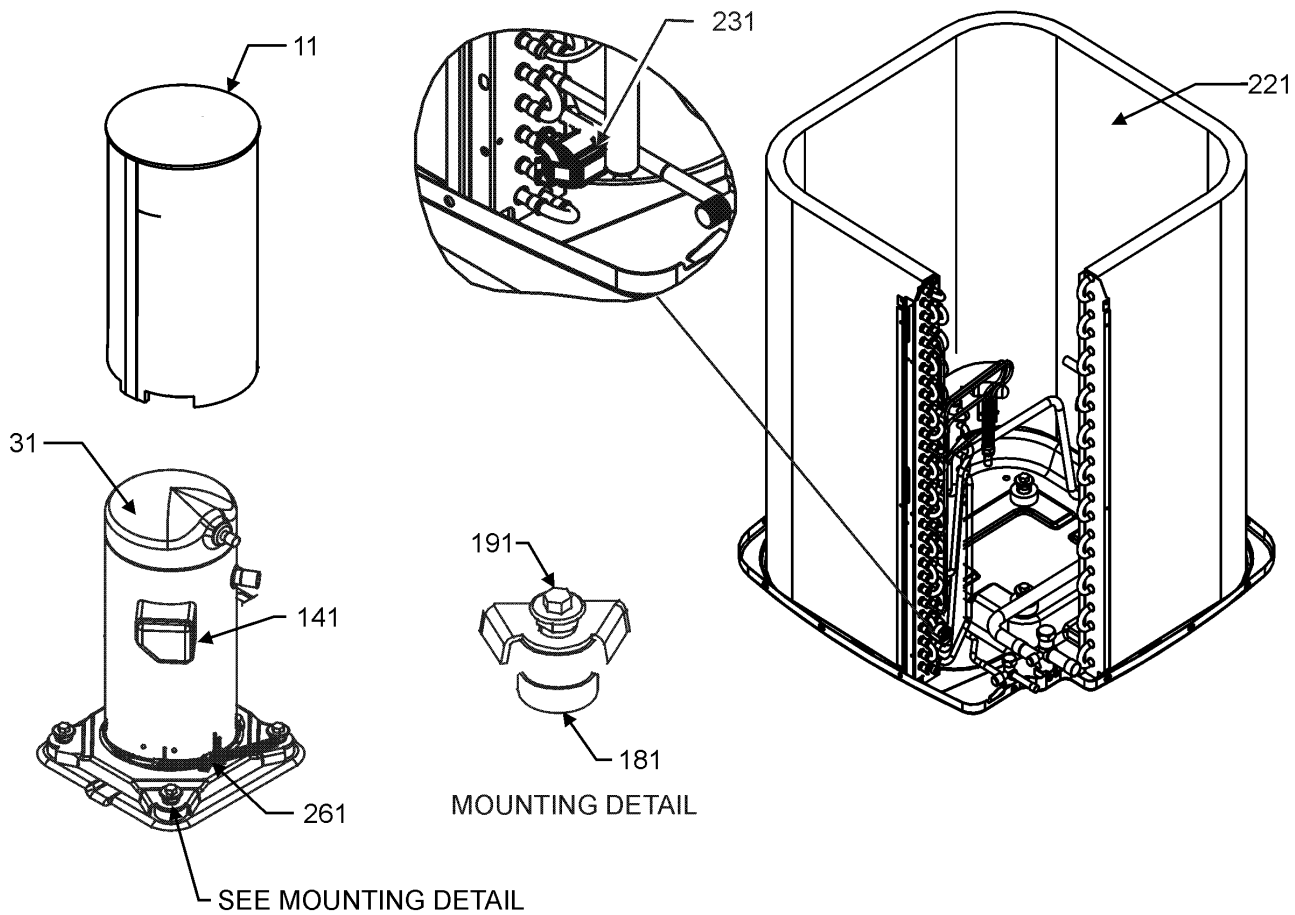
Expanded Model Nomenclature

M1 - ASZC160481AE
M2 - ASZC160601BC
M3 - ASZC180481AD
M4 - ASZC180601BB

*If end bells are needed please order the following:

0131M00182 - 1/2 HP
0131M00183 - 3/4 HP
0131M00184 - 1 HP

Compressor and Tubing Assembly



Compressor and Tubing Assembly

Ref. Part No:	No:	Description:	Ref. Part No:	No:	Description:
Image 1:					
11	B1488806	COMPRESSOR SOUND BLANKET			
21	0151M00021	REVERSING VALVE			
31	ZPS40K5EPFV130	COMPRESSOR 41100, 208/230/60/1 (M1, M3)			
31	ZPS49K5EPFV130	COMPRESSOR 49100, 208/230/60/1 (M2, M4)			
41	11046710	DISC-THERMOSTAT			
51	B1225022	SOLENOID COIL			
61	20270812	COMPENSATOR			
71	0162R00007	MUFFLER 1/2 X 1/2			
81	20485201	BI-FLOW FILTER DRIER			
91	0151R00080	BASE VALVE 7/8"			
101	0151R00078	BASE VALVE 3/8"			
111	B1787000	VALVE CORE			
121	0130R00003	CUT-OUT SWITCH, HIGH PRESSURE			
131	0130R00002	CUT-OUT SWITCH, LOW PRESSURE			
141	0130M00005P	WIRE HARNESS, COMPRESSOR SOLENOID			
171	0151M00068	VALVE, TXV R-410A			
181	0164M00018	COMPRESSOR GROMMET (M3, M4)			
181	B1339533	COMPRESSOR GROMMET (M1, M2)			
191	M0221641	TF SHOULDER SCREW (QTY 4)			
201	0121R00007PDG	BASE PAN 35"			
211	0130M00084	SOLENOID HARNESS W/1/4" TERM			
221	0201R00341	TUBING ASSY, COND COIL			
231	0130M00053	OUTDOOR COIL TEMP SENSOR			
261	0163R00007	HEATER, CRANKCASE 230V, 40W			
271	0151L00010	ACCUMULATOR			
281	0130M00106	DISC THERMOSTAT CRNKCS HTR SW			
NS	0163M00087	ACCESS FITTING			
NS	B1373305	ACCESS FITTING			
NS	0163M00175	CAP WITH O-RING			
NS	B1796633	TEFLON O-RING (QTY 2)			

Expanded Model Nomenclature

M1 - ASZC160481AE
M2 - ASZC160601BC
M3 - ASZC180481AD
M4 - ASZC180601BB